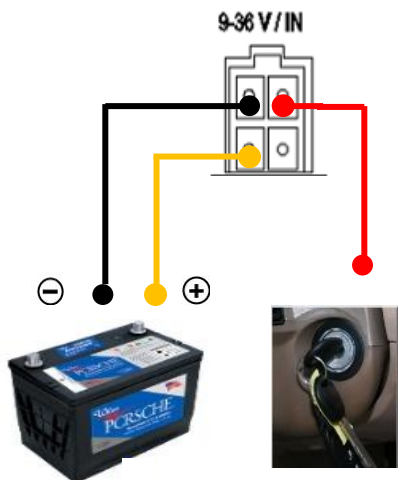


QIG: POWER

The power consumption of 4CH AHD MDVR is 4.8W without network function.



※Note:

Enable to keep recording under engine switch off.(Defaults)

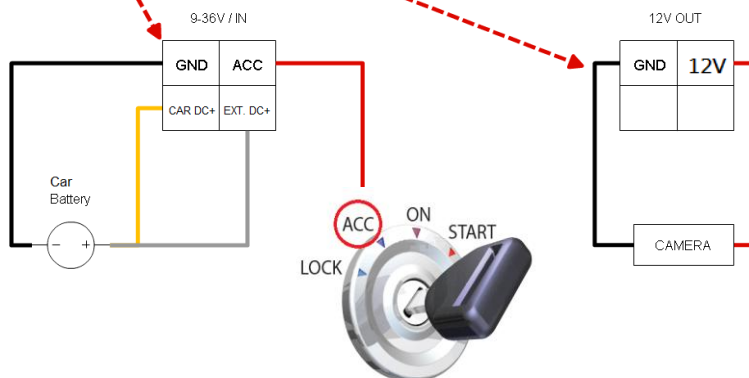
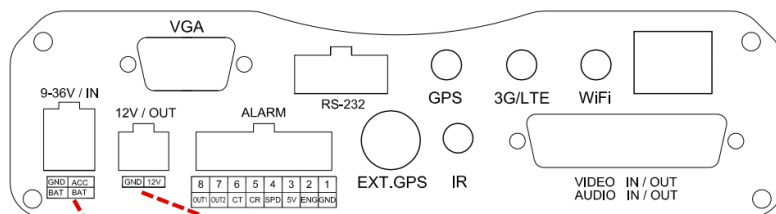
MDVR power cable connect with car :

Red line connect “ACC+”, Yellow line connect “Battery”.

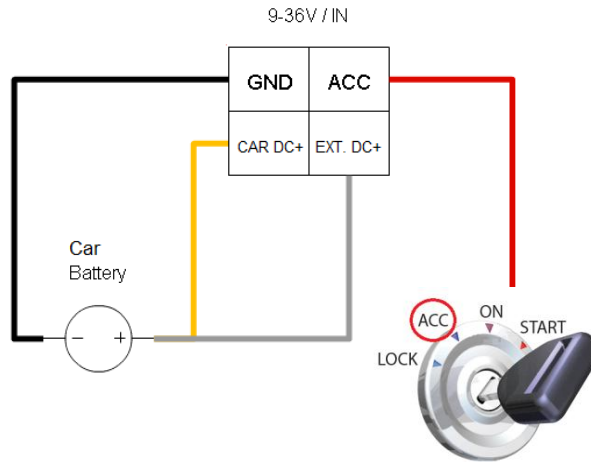
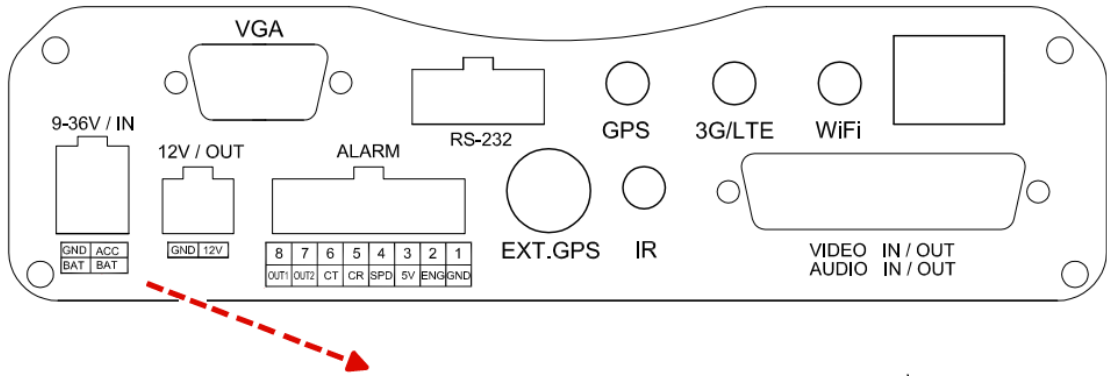
Disable the above function:

Combine Red 、 Yellow Line to connect “ACC+” .

(1) BNC connect mode :



(2) Aviation plug connect mode :



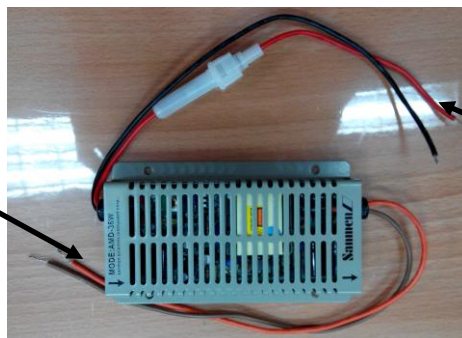
IMPORTANT NOTICE

If camera power is from MDVR,
Strongly recommend connecting adapter 12V DC between MDVR and Car power supply

Example:



MDVR Power Cable
(White cable is for 12V IN)



Adapter 12V DC
(For power input stable)



Car Power Supply